

BioPharm Select



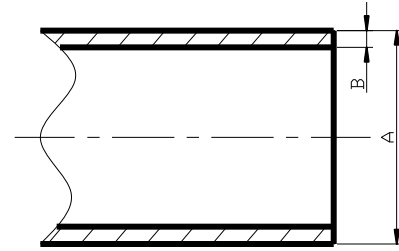
bürkert



Contents

Piping Dimensions.....	3
Clamp Ferrules, Gaskets and Clamps.....	4
Sterile Quick Connect/Threaded Unions	5-6
Inline Flow Indicators.....	7-8
Disc Check Valves.....	9
Ball Check Valves.....	10-12
Platinum Cured Silicone Hose.....	13-14
Reusable hose unions.....	15-16
Overview of additional components.....	17

Standard Piping Dimensions – please use these dimensions to assist you to choose your products.

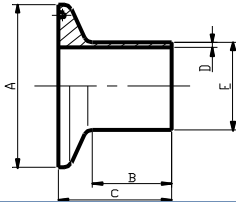


OD Tubing	Dimensions A x B (mm)	Dimensions A x B (in.)
1/4"	6.35 x 0.89	0.250 x 0.035
3/8"	9.53 x 0.89	0.375 x 0.035
1/2"	12.70 x 1.65	0.500 x 0.065
3/4"	19.05 x 1.65	0.750 x 0.065
1"	25.40 x 1.65	1.000 x 0.065
1 1/2"	38.10 x 1.65	1.500 x 0.065
2"	50.80 x 1.65	2.000 x 0.065
2 1/2"	63.50 x 1.65	2.500 x 0.065
3"	76.20 x 1.65	3.000 x 0.065
4"	101.60 x 2.11	4.000 x 0.083
6"	152.40 x 2.77	6.000 x 0.109
8"	203.30 x 2.77	8.000 x 0.109

Dimensions according to ASME BPE 2009 Table DT-1. For tolerances please refer to ASTM A 270 Supplement A.

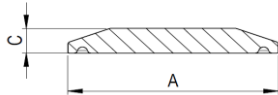
Standard Clamp Connections – compliant to ASME BPE 2009 Table DT-22 (B).

Clamp Ferrule



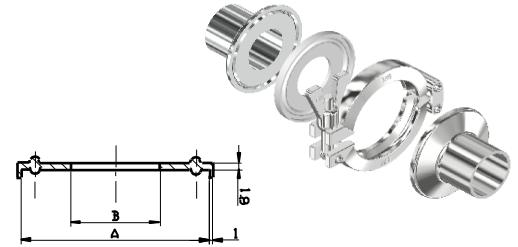
Size	Dimensions (mm) Ra < 0.6µm Material 1.4435 BN2 (316L Stainless Steel)					Item No. (Order Code)
	A	B	C	D	E	
¼"	25.0	>18.0	28.7	0.89	6.4	BBS-25-A1.C02.C00.35.0 ()
3/8"	25.0	>18.0	28.7	0.89	9.7	BBS-25-A1.C03.C00.35.0 ()
½"	25.0	>18.0	28.7	0.89	12.7	BBS-25-A1.C05.C00.35.0 ()
¾"	25.0	>18.0	28.7	1.65	19.05	BBS-25-A1.C07.C00.35.0 ()
1"	50.5	>18.0	28.7	1.65	25.4	BBS-25-A1.C10.C00.35.0 ()
1 1/2"	50.5	>18.0	28.7	1.65	38.1	BBS-25-A1.C15.C00.35.0 ()
2"	64.0	>18.0	28.7	1.65	50.8	BBS-25-A1.C20.C00.35.0 ()
2 1/2"	77.5	>18.0	28.7	1.65	63.5	BBS-25-A1.C25.C00.35.0 ()
3"	91.0	>18.0	28.7	1.65	76.2	BBS-25-A1.C30.C00.35.0 ()
4"	119.0	>18.0	28.7	2.11	101.6	BBS-25-A1.C40.C00.35.0 ()
6"	167.0	>18.0	38.1	2.77	152.4	BBS-25-A1.C60.C00.35.0 ()
8"	217.5	>18.0	38.1	2.77	203.3	BBS-25-A1.C80.C00.35.0 ()

Ferrule Cap



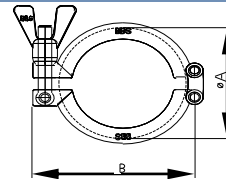
Size/Standard	Material 1.4435 BN2 316L ST/ST		Item Key (Order Code)
	Dimensions mm		
Size	A	C	
¼", ½", ¾"	25.0	7.0	BBS-25-G0.C05.C00.35.0 (738080)
1", 1 1/2"	50.5	7.0	BBS-25-G0.C15.C00.35.0 (738092)
2"	64.0	10.0	BBS-25-G0.C20.C00.35.0 (738096)
2 1/2"	77.5	10.0	BBS-25-G0.B50.B00.35.0 (738068)
3"	91.0	10.0	BBS-25-C30.C00.35.0 (738100)
4"	119.0	10.0	BBS-25-G0.C40.C00.35.0 (738104)
6"	167.0	11.0	BBS-25-G0.C60.C00.35.0 (738108)
8"	217.5	14.0	BBS-25-G0.C80.C00.35.0 (On Request)

Clamp Gasket



Size	Dimensions mm		EPDM	FEP (PTFE)
	A	B	Item No. (Order Code)	Item No. (Order Code)
¼"	25.0	4.6	BBS-02-01.C02.25.EP.0 (730231)	BBS-02-01.C02.25.FE.3 (730233)
3/8"	25.0	7.35	BBS-02-01.C03.EP.0 (On Request)	BBS-02-01.C03.FE.3 (On Request)
½"	25.0	9.4	BBS-02-01.C05.25.EP.0 (730246)	BBS-02-01.C05.25.FE.3 (730248)
¾"	25.0	15.7	BBS-02-01.C07.25.EP.0 (730256)	BBS-02-01.C07.25.FE.3 (730258)
1"	50.5	22.1	BBS-02-01.C10.500.EP.0 (730264)	BBS-02-01.C10.50.FE.3 (730266)
1 1/2"	50.5	34.8	BBS-02-01.C15.50.EP.0 (730277)	BBS-02-01.C15.50.FE.3 (730279)
2"	64.0	47.5	BBS-02-01.C20.64.EP.0 (730289)	BBS-02-01.C20.64.FE.3 (730291)
2 1/2"	77.5	60.2	BBS-02-01.C25.77.EP.0 (730301)	BBS-02-01.C25.77.FE.3 (730303)
3"	91.0	72.9	BBS-02-01.C30.91.EP.0 (730311)	BBS-02-01.C30.91.FE.3 (730313)
4"	119.0	97.4	BBS-02-01.C40.119.EP.0 (730322)	BBS-02-01.C40.119.FE.3 (730324)
6"	167.0	146.86	BBS-02-01.C60.167.EP.0 (730332)	BBS-02-01.C60.167.FE.3 (730334)
8"	217.5	198.0	BBS-02-01.C80.EP.0 (On request)	BBS-02-01.C80.FE.3 (On Request)

Clamp

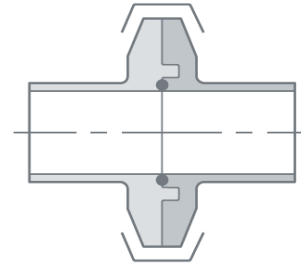


Size/Standard	Material 304 ST/ST		Item Key (Order Code)
	Dimensions mm		
Size	A	B	
¼", ½", ¾"	28.0	84.5	BBS-25-C7.U08.U00.01.0 (731146)
1", 1 1/2"	53.6	96.5	BBS-25-C7.U25.U00.01.0 (731164)
2"	67.0	112.5	BBS-25-C7.U40.U00.01.0 (731172)
2 1/2"	80.6	129.5	BBS-25-C7.U50.U00.01.0 (731174)
3"	94.0	144.0	BBS-25-C7.U65.U00.01.0 (731176)
4"	122.0	157.5	BBS-25-C7.U80.U00.01.0 (731178)
6"	167.0	130.0	BBS-25-C7.U125.U00.01.0 (731156)
8"	233.0	160.0	BBS-25-C7.U150.U00.01.0 (731158)

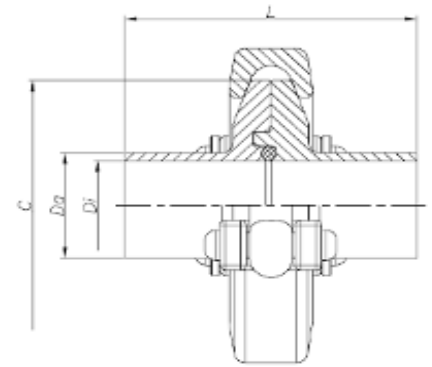
BBS Sterile Quick Connect – fitting style according to ASME BPE 2009 Fig SD1 (e)

The BBS Sterile Quick Connect union is sold as a complete assembly.

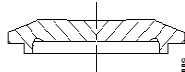
One complete assembly consists of male ferrule, o-ring (according to material choice), female ferrule and clamp. The design guarantees controlled compression of the seal and therefore directly fulfills ASME BPE criteria for optimum connectivity as per Fig SD-1 (e).



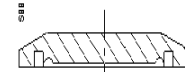
Sterile Quick Connect Assmblly						
Dimensions (mm) Ra < 0.6µm, Material 1.4435 BN2 (316L Stainless Steel) Wetted Parts						
Clamp material 304 Stainless Steel						
Size	C mm	Da mm	Di mm	L mm	BBS Item Key (Part No: EPDM)	BBS Item Key (Part No: FEP)
DN 1/4"	25.00	6.35	4.57	54.00	BBS-05-AA.Q02.Q00.35.0 (730576)	BBS-05-AA.Q02.Q00.35.3 (730578)
DN 3/8"	On Request				BBS-05-AA.Q03.Q00.35.0 (On Request)	BBS-05-AA.Q03.Q00.35.3 (On Request)
DN 1/2"	25.00	12.70	9.40	54.00	BBS-05-AA.Q05.Q00.35.0 (730584)	BBS-05-AA.Q05.Q00.35.3 (730586)
DN 3/4"	25.00	19.05	15.75	54.00	BBS-05-AA.Q07.Q00.35.0 (730592)	BBS-05-AA.Q07.Q00.35.3 (730594)
DN 1"	50.50	25.40	22.10	60.00	BBS-05-AA.Q10.Q00.35.0 (730600)	BBS-05-AA.Q10.Q00.35.3 (730602)
DN 1 1/2"	50.50	38.10	34.80	60.00	BBS-05-AA.Q15.Q00.35.0 (730607)	BBS-05-AA.Q15.Q00.35.3 (730609)
DN 2"	64.00	50.80	47.50	60.00	BBS-05-AA.Q20.Q00.35.0 (730615)	BBS-05-AA.Q20.Q00.35.3 (730617)
DN2 1/2"	77.50	63.50	60.20	60.00	BBS-05-AA.Q25.Q00.35.0 (730623)	BBS-05-AA.Q25.Q00.35.3 (730625)
DN3"	91.00	76.20	72.90	60.00	BBS-05-AA.Q30.Q00.35.0 (730631)	BBS-05-AA.Q30.Q00.35.3 (730633)
DN4"	119.00	101.60	97.38	60.00	BBS-05-AA.Q40.Q00.35.0 (730639)	BBS-05-AA.Q40.Q00.35.3 (730641)



Ferrule Cap – MALE version



Ferrule Cap – FEMALE version



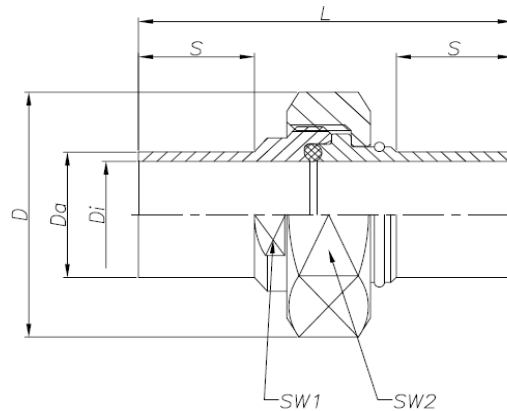
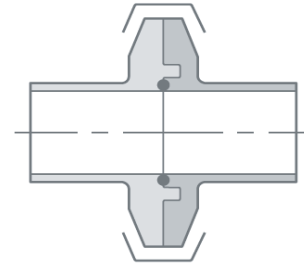
Male Cap			Item Key (Order Code)
Material 1.4435 BN2 316L ST/ST Dimensions mm			
Size	A	C	
1/4"	25.0	7.0	BBS-02-F0.Q02.Q00.35.0 (731262)
1/2"	25.0	7.0	BBS-02-F0.Q05.Q00.35.0 (731264)
3/4"	25.0	7.0	BBS-02-F0.Q07.Q00.35.0 (731266)
1"	50.5	7.0	BBS-02-F0.Q10.Q00.35.0 (731268)
1 1/2"	50.5	7.0	BBS-02-F0.Q15.Q00.35.0 (731270)
2"	64.0	10.0	BBS-02-F0.Q20.Q00.35.0 (731272)
2 1/2"	77.5	10.0	BBS-02-F0.Q25.Q00.35.0 (731274)
3"	91.0	10.0	BBS-02-F0.Q30.Q00.35.0 (731276)
4"	119.0	10.00	BBS-02-F0.Q40.Q00.35.0 (On Request)

Female Cap			Item Key (Order Code)
Material 1.4435 BN2 316L ST/ST Dimensions mm			
Size	A	C	
1/4"	25.0	7.0	BBS-02-G0.Q02.Q00.35.0 (On Request)
1/2"	25.0	7.0	BBS-02-G0.Q05.Q00.35.0 (On Request)
3/4"	25.0	7.0	BBS-02-G0.Q07.Q00.35.0 (731345)
1"	50.5	7.0	BBS-02-G0.Q10.Q00.35.0 (On Request)
1 1/2"	50.5	7.0	BBS-02-G0.Q15.Q00.35.0 (731347)
2"	64.0	10.0	BBS-02-G0.Q20.Q00.35.0 (On Request)
2 1/2"	77.5	10.0	BBS-02-G0.Q25.Q00.35.0 (On Request)
3"	91.0	10.0	BBS-02-G0.Q30.Q00.35.0 (On Request)
4"	119.0	10.00	BBS-02-G0.Q40.Q00.35.0 (On Request)

Sterile Threaded Union – fitting style according to ASME BPE 2009 Fig SD1 (e)

The BBS Sterile threaded union is sold as a complete assembly.

One complete assembly consists of male ferrule, o-ring (according to material choice), female ferrule and nut. The design guarantees controlled compression of the seal and therefore directly fulfills ASME BPE criteria for optimum connectivity as well as increasing overall process safety through using threaded union instead of quick release clamp.



Sterile Threaded Union Assmblly									
Dimensions (mm) Ra < 0.6µm, Material 1.4435 BN2 (316L Stainless Steel) Wetted Parts									
Size	D mm	Da mm	Di mm	L mm	S mm	SW1 mm	SW2 mm	BBS Item Key (Part No: EPDM)	BBS Item Key (Part No: FEP)
1/4"	21.90	6.35	4.57	55.80	18.00	12.00	19.00	BBS-03-AD.K02.K00.35.0 (732431)	BBS-03-AD.K02.K00.35.3 (On Request)
3/8"	24.50	9.53	7.75	61.80	25.40	14.00	22.00	BBS-03-AD.K03.K00.35.0 (732433)	BBS-03-AD.K03.K00.35.3 (732435)
1/2"	31.20	12.70	9.40	64.50	25.40	17.00	27.00	BBS-03-AD.K05.K00.35.0 (732437)	BBS-03-AD.K05.K00.35.3 (732439)
3/4"	36.50	19.05	15.75	72.30	25.40	21.00	32.00	BBS-03-AD.K07.K00.35.0 (732441)	BBS-03-AD.K07.K00.35.3 (732443)
1"	48.30	25.40	22.10	74.00	25.40	N/A	42.00	BBS-03-AD.K10.K00.35.0 (732445)	BBS-03-AD.K10.K00.35.3 (732447)
1 1/2"	62.00	38.10	34.80	68.60	18.00	N/A	56.00	BBS-03-AD.K15.K00.35.0 (732449)	BBS-03-AD.K15.K00.35.3 (732451)
2"	75.00	50.80	47.50	87.70	25.40	N/A	56.00	BBS-03-AD.K20.K00.35.0 (732458)	BBS-03-AD.K20.K00.35.3 (732460)

= Hook wrench required

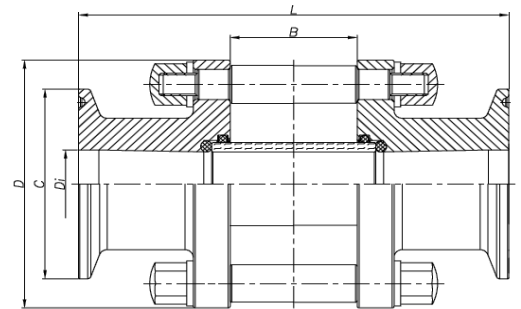
Inline Flow Indicator with Clamp End

- Fully traceable materials
- Hygienic design minimizes bacterial traps
- Suitable for CIP and SIP
- Stress, crack and shatter resistant

Sterile Flow Indicator Full View with Clamp							
Dimensions (mm) Ra < 0.8µm, Material 1.4435 BN2 (316L Stainless Steel)							
Borosilicate Glass and o-ring seals as indicated							
Size	D mm	C mm	Di mm	B mm	L mm	BBS Item Key (Part No: EPDM)	BBS Item Key (Part No: FEP)
1/4"	50.00	25.00	4.57	19.50	90.00	BBS-3F-SA.C02.M00.35.0 (On Request)	BBS-3F-SA.C02.M00.35.3 (On Request)
3/8"	50.00	25.00	7.75	19.50	90.00	BBS-3F-SA.C03.M00.35.0 (741502)	BBS-3F-SA.C03.M00.35.3 (741503)
1/2"	59.00	25.00	9.40	19.50	91.50	BBS-3F-SA.C05.M00.35.0 (741511)	BBS-3F-SA.C05.M00.35.3 (741513)
3/4"	65.00	25.00	15.75	33.00	105.00	BBS-3F-SA.C07.M00.35.0 (741520)	BBS-3F-SA.C07.M00.35.3 (741522)
1"	73.00	50.50	22.10	36.00	105.00	BBS-3F-SA.C10.M00.35.0 (741537)	BBS-3F-SA.C10.M00.35.3 (741541)
1 1/2"	82.00	50.50	38.40	37.00	105.00	BBS-3F-SA.C15.M00.35.0 (741552)	BBS-3F-SA.C15.M00.35.3 (741554)
2"	100.00	64.00	47.50	54.00	152.40	BBS-3F-SA.C20.M00.35.0 (741565)	BBS-3F-SA.C20.M00.35.3 (741567)
2 1/2"	124.00	77.50	60.20	67.00	151.00	BBS-3F-SA.C25.M00.35.0 (741574)	BBS-3F-SA.C25.M00.35.3 (741576)
3"	135.00	91.00	72.90	97.00	181.00	BBS-3F-SA.C30.M00.35.0 (741586)	BBS-3F-SA.C30.M00.35.3 (741588)
4"	155.00	119.00	97.38	119.00	206.00	BBS-3F-SA.C40.M00.35.0 (741596)	BBS-3F-SA.C40.M00.35.3 (741598)
6"	215.00	167.00	146.86	139.00	254.00	BBS-3F-SA.C60.M00.35.0 (741600)	BBS-3F-SA.C60.M00.35.3 (On Request)
8"	265.00	217.50	198.00	155.00	302.00	BBS-3F-SA.C80.M00.35.0 (741606)	BBS-3F-SA.C80.M00.35.3 (On Request)



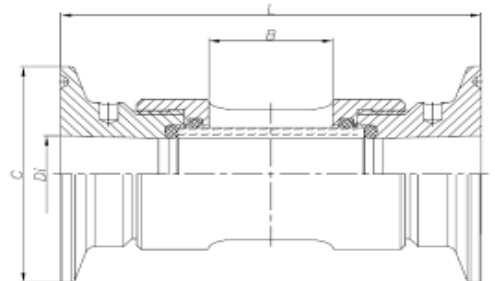
Full View



Standard Sterile Flow Indicator with Clamp						
Dimensions (mm) Ra < 0.8µm, Material 1.4435 BN2 (316L Stainless Steel)						
Borosilicate Glass and o-ring seals as indicated						
Size	C mm	Di mm	B mm	L mm	BBS Item Key (Part No: EPDM)	BBS Item Key (Part No: FEP)
1/4"	25.00	4.57	20.20	65.40	BBS-3F-SA.C02.C00.35.0 (741492)	BBS-3F-SA.C02.C00.35.3 (741496)
3/8"	25.00	7.75	20.00	78.00	BBS-3F-SA.C03.C00.35.0 (741498)	BBS-3F-SA.C03.C00.35.3 (741500)
1/2"	25.00	9.40	20.00	76.00	BBS-3F-SA.C05.C00.35.0 (741505)	BBS-3F-SA.C05.C00.35.3 (741509)
3/4"	25.00	15.75	30.00	87.00	BBS-3F-SA.C07.C00.35.0 (741516)	BBS-3F-SA.C07.C00.35.3 (741518)
1"	50.50	22.10	30.00	91.00	BBS-3F-SA.C10.C00.35.0 (741530)	BBS-3F-SA.C10.C00.35.3 (741533)
1 1/2"	50.50	34.80	32.00	105.00	BBS-3F-SA.C15.C00.35.0 (741546)	BBS-3F-SA.C15.C00.35.3 (741550)
2"	64.00	47.50	48.00	120.00	BBS-3F-SA.C20.C00.35.0 (741560)	BBS-3F-SA.C20.C00.35.3 (741563)
2 1/2"	77.50	60.20	55.00	150.60	BBS-3F-SA.C25.C00.35.0 (741571)	BBS-3F-SA.C25.C00.35.3 (741573)
3"	91.00	72.90	90.00	175.00	BBS-3F-SA.C30.C00.35.0 (741580)	BBS-3F-SA.C30.C00.35.3 (741584)
4"	119.00	97.38	110.00	200.00	BBS-3F-SA.C40.C00.35.0 (741592)	BBS-3F-SA.C40.C00.35.3 (741594)
6"	167.00	146.86	On Request		BBS-3F-SA.C60.C00.35.0 (741600)	BBS-3F-SA.C60.C00.35.3 (On Request)
8"	217.50	198.00	On Request		BBS-3F-SA.C80.C00.35.0 (741606)	BBS-3F-SA.C80.C00.35.3 (On Request)



Standard View



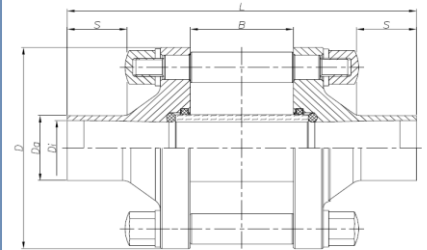
Inline Flow Indicator with Weld End

- Fully traceable materials
- Hygienic design minimizes bacterial traps
- Suitable for CIP and SIP
- Stress, crack and shatter resistant

Sterile Flow Indicator Full View with Weld End								
Dimensions (mm) Ra < 0.8µm, Material 1.4435 BN2 (316L Stainless Steel)								
Borosilicate Glass and o-ring seals as indicated								
Size	D mm	Da mm	Di mm	L mm	S mm	B mm	BBS Item Key (Part No: EPDM)	BBS Item Key (Part No: FEP)
1/4"	50.00	6.35	4.55	126.90	38.10	19.50	BBS-3F-HA.M02.BPE.35.0 (On Request)	BBS-3F-HA.M02. BPE.35.3 (On Request)
3/8"	50.00	9.53	7.75	128.80	38.10	19.50	BBS-3F-HA.M03. BPE.35.0 (On Request)	BBS-3F-HA.M03. BPE.35.3 (On Request)
1/2"	59.00	12.70	9.40	132.90	38.10	19.50	BBS-3F-HA.M05. BPE.35.0 (740831)	BBS-3F-HA.M05. BPE.35.3 (740834)
3/4"	65.00	19.05	15.75	146.40	38.10	33.00	BBS-3F-HA.M07. BPE.35.0 (740837)	BBS-3F-HA.M07. BPE.35.3 (740839)
1"	73.00	25.40	22.10	148.60	38.10	36.00	BBS-3F-HA.M10. BPE.35.0 (740843)	BBS-3F-HA.M10. BPE.35.3 (740845)
1 1/2"	82.00	38.10	34.80	152.20	38.10	37.00	BBS-3F-HA.M15. BPE.35.0 (740848)	BBS-3F-HA.M15. BPE.35.3 (740851)
2"	100.00	50.80	47.50	190.00	38.10	54.00	BBS-3F-HA.M20. BPE.35.0 (740854)	BBS-3F-HA.M20. BPE.35.3 (740857)
2 1/2"	124.00	63.50	60.20	222.50	38.10	67.00	BBS-3F-HA.M25. BPE.35.0 (740860)	BBS-3F-HA.M25. BPE.35.3 (740863)
3"	135.00	76.20	72.90	240.80	38.10	97.00	BBS-3F-HA.M30. BPE.35.0 (740866)	BBS-3F-HA.M30. BPE.35.3 (740869)
4"	159.00	101.60	97.38	262.70	38.10	119.00	BBS-3F-HA.M40. BPE.35.0 (740872)	BBS-3F-HA.M40. BPE.35.3 (740877)



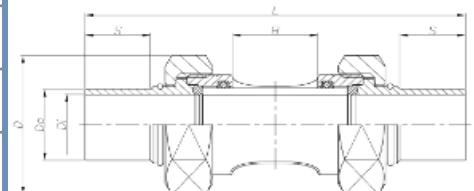
Full View



Standard Sterile Flow Indicator with Weld End								
Dimensions (mm) Ra < 0.8µm, Material 1.4435 BN2 (316L Stainless Steel)								
Borosilicate Glass and o-ring seals as indicated								
Size	D mm	Da mm	Di mm	L mm	S mm	B mm	BBS Item Key (Part No: EPDM)	BBS Item Key (Part No: FEP)
1/4"	22.10	6.35	4.55	On Request			BBS-3F-RB.K02.K00.35.0 (On Request)	BBS-3F-RB.K02.K00.35.3 (On Request)
3/8"	24.50	9.53	7.75	100.70	25.40	21.00	BBS-3F-RB.K03.K00.35.0 (741181)	BBS-3F-RB.K03.K00.35.3 (741183)
1/2"	31.20	12.70	9.40	107.50	25.40	18.00	BBS-3F-RB.K05.K00.35.0 (730000)	BBS-3F-RB.K05.K00.35.3 (741187)
3/4"	36.50	19.05	15.75	120.30	25.40	20.00	BBS-3F-RB.K07.K00.35.0 (741189)	BBS-3F-RB.K07.K00.35.3 (741191)
1"	48.00	25.40	22.10	120.60	25.40	30.00	BBS-3F-RB.K10.K00.35.0 (741193)	BBS-3F-RB.K10.K00.35.3 (741195)
1 1/2"	62.00	42.70	9.40	121.20	18.00	32.00	BBS-3F-RB.K15.K00.35.0 (741199)	BBS-3F-RB.K15.K00.35.3 (741205)
2"	80.00	50.80	47.50	161.20	25.40	48.00	BBS-3F-RB.K20.K00.35.0 (741203)	BBS-3F-RB.K20.K00.35.3 (741205)
2 1/2"	88.00	63.50	60.20	165.40	18.00	79.40	BBS-3F-RB.K25.K00.35.0 (741207)	BBS-3F-RB.K25.K00.35.3 (741209)
3"	106.00	76.20	72.90	On Request			BBS-3F-RB.K30.K00.35.0 (741211)	BBS-3F-RB.K30.K00.35.3 (741213)
4"	127.00	101.60	98.38	262.7	38.10	110.00	BBS-3F-RB.K40.K00.35.0 (741215)	BBS-3F-RB.K40.K00.35.3 (On Request)

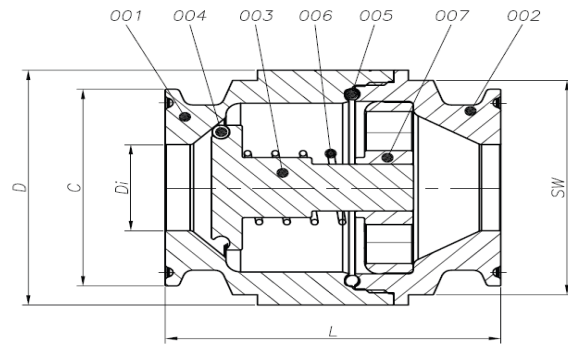


Partial View



Disc Check Valves with Clamp

- Disc check valve designed for non critical hygienic applications with clamp connection
- Fully traceable materials
- Various process connections available
- Suitable for CIP and SIP
- Excellent performance



Key:	Description:
001	Plain Ferrule
002	Male Ferrule
003	Disc
004	O-ring
005	O-ring
006	Spring
007	Disc Bearing

Disc Check Valve with clamp end							
Dimensions (mm) Ra < 0.8µm, Material 1.4435 BN2 (316L Stainless Steel)							
Size	C mm	Di mm	L mm	D mm	SW mm	BBS Item Key (Item No. EPDM)	BBS Item Key (Item No. FEP)
1/4"	25.00	4.57	62.00	42.40	36.00	BBS-10-RQ.Y02.Y02.35.0 (On Request)	BBS-10-RQ.Y02.Y02.35.3 (On Request)
3/8"	25.00	7.74	62.00	42.40	36.00	BBS-10-RQ.Y03.Y03.35.0 (On Request)	BBS-10-RQ.Y03.Y03.35.3 (On Request)
1/2"	25.00	9.40	62.00	42.40	36.00	BBS-10-RQ.Y05.Y05.35.0 (On Request)	BBS-10-RQ.Y05.Y05.35.3 (743040)
3/4"	50.50	15.75	62.00	42.40	36.00	BBS-10-RQ.Y07.Y07.35.0 (On Request)	BBS-10-RQ.Y07.Y07.35.3 (743041)
1"	50.50	22.10	69.00	60.30	55.00	BBS-10-RQ.Y10.Y10.35.0 (On Request)	BBS-10-RQ.Y10.Y10.35.3 (743042)
1 1/2"	50.50	38.10	75.00	70.00	-	BBS-10-RQ.Y15.Y15.35.0 (On Request)	BBS-10-RQ.Y15.Y15.35.3 (743043)
2"	64.00	50.80	85.00	85.00	-	BBS-10-RQ.Y20.Y20.35.0 (On Request)	BBS-10-RQ.Y20.Y20.35.3 (743044)

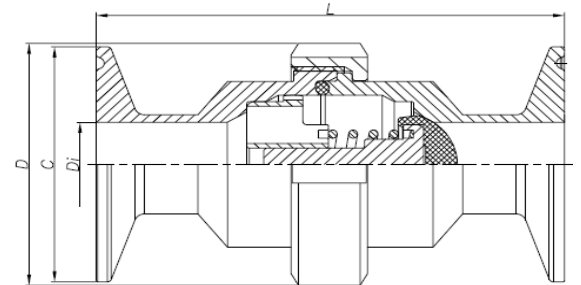
Ball Check Valves with Clamp

- Ball check valve designed for continuous flushing to suit hygienic applications
- Fully traceable materials
- Various process connections available
- Suitable for CIP and SIP
- Design means flow direction can be reversed



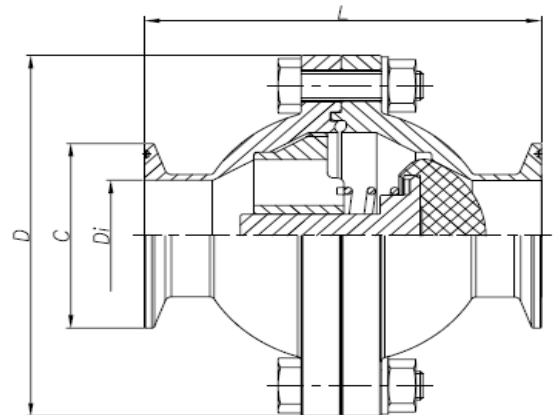
1/4" to 1" – with standard construction

Ball Check Valve with clamp end						
Dimensions (mm) Ra < 0.8µm, Material 1.4435 BN2 (316L Stainless Steel)						
Size	D mm	C mm	Di mm	L mm	BBS Item Key (Item No. EPDM)	BBS Item Key (Item No. FEP)
1/4"	52.00	25.00	4.57	92.00	BBS-RH-Y02.Y02.35.0 (On Request)	BBS-RH-Y02.Y02.35.3 (735827)
3/8"	52.00	25.00	7.75	92.00	BBS-RH-Y03.Y03.35.0 (On Request)	BBS-RH-Y03.Y03.35.3 (735832)
1/2"	52.00	25.00	9.40	92.00	BBS-RH-Y05.Y05.35.0 (735836)	BBS-RH-Y05.Y05.35.3 (735841)
3/4"	52.00	25.00	15.75	92.00	BBS-RH-Y07.Y07.35.0 (On Request)	BBS-RH-Y07.Y07.35.3 (735845)
1"	67.00	50.50	22.10	105.00	BBS-RH-Y10.Y10.35.0 (On Request)	BBS-RH-Y10.Y10.35.3 (735849)



1 1/2" to 4" – with flanged construction

Ball Check Valve with clamp end						
Dimensions (mm) Ra < 0.8µm, Material 1.4435 BN2 (316L Stainless Steel)						
Size	D mm	C mm	Di mm	L mm	BBS Item Key (Item No. EPDM)	BBS Item Key (Item No. FEP)
1 1/2"	125.00	50.50	34.80	159.30	BBS-RH-Y15.Y15.35.0 (On Request)	BBS-RH-Y15.Y15.35.3 (735857)
2"	137.00	64.00	47.50	180.40	BBS-RH-Y20.Y20.35.0 (On Request)	BBS-RH-Y20.Y20.35.3 (On Request)
2 1/2"	168.00	77.50	60.20	163.00	BBS-RH-Y25.Y25.35.0 (On Request)	BBS-RH-Y25.Y25.35.3 (On Request)
3"	168.00	91.00	72.90	163.00	BBS-RH-Y30.Y30.35.0 (On Request)	BBS-RH-Y30.Y30.35.3 (On Request)
4"	220.00	119.00	97.38	185.00	BBS-RH-Y40.Y40.35.0 (On Request)	BBS-RH-Y40.Y40.35.3 (On Request)



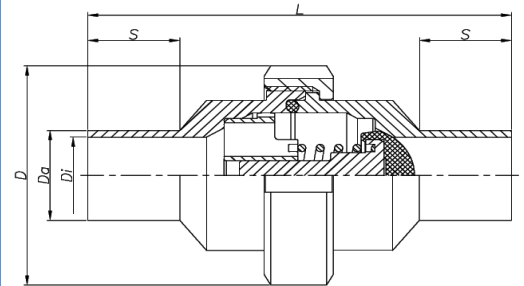
Ball Check Valves with Weld End

- Ball check valve designed for continuous flushing to suit hygienic applications
- Fully traceable materials
- Various process connections available
- Suitable for CIP and SIP
- Design means flow direction can be reversed



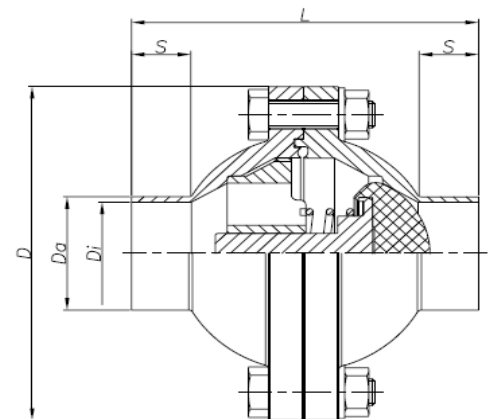
1/4" to 1" – with standard construction

Ball Check Valve with weld end							
Dimensions (mm) Ra < 0.8µm, Material 1.4435 BN2 (316L Stainless Steel)							
Size	D mm	Da mm	Di mm	L mm	S mm	BBS Item Key (Item No. EPDM)	BBS Item Key (Item No. FEP)
1/4"	52.00	6.35	4.57	92.00	18.00	BBS-10-RU.Y02.Y02.35.0 (736505)	BBS-10-RU.Y02.Y02.35.3 (736568)
3/8"	52.00	9.53	7.75	92.00	18.00	BBS-10-RU.Y03.Y03.35.0 (On Request)	BBS-10-RU.Y03.Y03.35.3 (On Request)
1/2"	52.00	12.70	9.40	92.00	18.00	BBS-10-RU.Y05.Y05.35.0 (736526)	BBS-10-RU.Y05.Y05.35.3 (736534)
3/4"	52.00	19.05	15.75	92.00	18.00	BBS-10-RU.Y07.Y07.35.0 (On Request)	BBS-10-RU.Y07.Y07.35.3 (736543)
1"	67.00	25.40	22.10	105.00	18.00	BBS-10-RU.Y10.Y10.35.0 (736555)	BBS-10-RU.Y10.Y10.35.3 (736568)



1 1/2" to 6" – with flanged construction

Ball Check Valve with weld end							
Dimensions (mm) Ra < 0.8µm, Material 1.4435 BN2 (316L Stainless Steel)							
Size	D mm	Da mm	Di mm	L mm	S mm	BBS Item Key (Item No. EPDM)	BBS Item Key (Item No. FEP)
1 1/2"	125.00	38.10	34.80	159.30	38.00	BBS-10-RU.Y15.FLK.35.0 (736572)	BBS-10-RU.Y15.FLK.35.3 (736580)
2"	137.00	50.80	47.50	180.40	38.00	BBS-10-RU.Y20.FLK.35.0 (736596)	BBS-10-RU.Y20.FLK.35.3 (736600)
2 1/2"	168.00	63.50	60.20	163.00	38.00	BBS-10-RU.Y25.FLK.35.0 (736608)	BBS-10-RU.Y25.FLK.35.3 (736612)
3"	168.00	76.20	72.90	163.00	38.00	BBS-10-RU.Y30.FLK.35.0 (736616)	BBS-10-RU.Y30.FLK.35.3 (736620)
4"	220.00	101.40	97.38	185.00	38.00	BBS-10-RU.Y40.FLK.35.0 (736625)	BBS-10-RU.Y40.FLK.35.3 (736629)
6"	245.00	152.40	148.18	On Request		BBS-10-RU.Y60.FLK.35.0 (736633)	BBS-10-RU.Y60.FLK.35.3 (On Request)



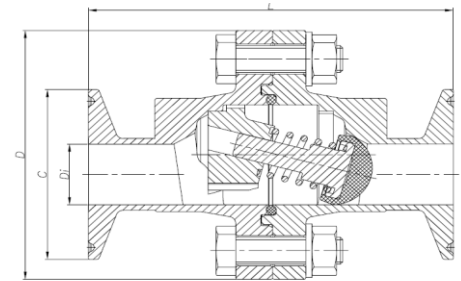
Eccentric Ball Check Valves with Clamp connection and Weld End

- Ball check valve designed for continuous flushing to suit hygienic applications
- Fully traceable materials
- Various process connections available
- Suitable for CIP and SIP
- Design means flow direction can be reversed



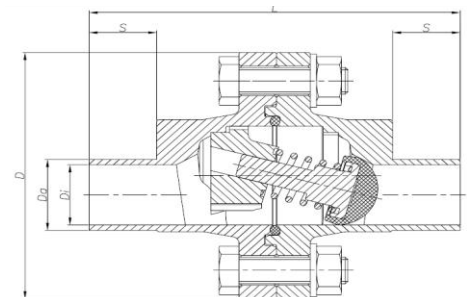
Eccentric Ball Check Valve with clamp end						
Dimensions (mm) Ra < 0.8µm, Material 1.4435 BN2 (316L Stainless Steel)						
Size	D mm	C mm	Di mm	L mm	BBS Item Key (Item No. EPDM)	BBS Item Key (Item No. PTFE)
1/4"	74.00	25.00	4.57	117.00	BBS-10-RH.Y02.FEX.35.0 (On Request)	BBS-10-RH.Y02.FEX.35.3 (On Request)
3/8"	74.00	25.00	7.75	117.00	BBS-10-RH.Y03.FEX.35.0 (On Request)	BBS-10-RH.Y03.FEX.35.3 (On Request)
1/2"	74.00	25.00	9.40	117.00	BBS-10-RH.Y05.FEX.35.0 (On Request)	BBS-10-RH.Y05.FEX.35.3 (On Request)
3/4"	74.00	25.00	15.75	99.00	BBS-10-RH.Y07.FEX.35.0 (On Request)	BBS-10-RH.Y07.FEX.35.3 (On Request)
1"	88.00	50.50	22.10	142.00	BBS-10-RH.Y10.FEX.35.0 (On Request)	BBS-10-RH.Y10.FEX.35.3 (On Request)
1 1/2"	125.00	50.50	34.80	187.00	BBS-10-RH.Y15.FEX.35.0 (On Request)	BBS-10-RH.Y15.FEX.35.3 (On Request)
2"	137.00	64.00	47.50	188.00	BBS-10-RH.Y20.FEX.35.0 (On Request)	BBS-10-RH.Y20.FEX.35.3 (On Request)
2 1/2"	168.00	77.50	60.20	200.00	BBS-10-RH.Y25.FEX.35.0 (On Request)	BBS-10-RH.Y25.FEX.35.3 (On Request)
3"	168.00	91.00	72.90	199.00	BBS-10-RH.Y30.FEX.35.0 (On Request)	BBS-10-RH.Y30.FEX.35.3 (On Request)
4"	260.00	119.00	97.38	246.00	BBS-10-RH.Y40.FEX.35.0 (On Request)	BBS-10-RH.Y40.FEX.35.3 (On Request)

Clamp Connection



Eccentric Ball Check Valve with weld end							
Dimensions (mm) Ra < 0.8µm, Material 1.4435 BN2 (316L Stainless Steel)							
Size	D mm	Da mm	Di mm	L mm	S mm	BBS Item Key (Item No. EPDM)	BBS Item Key (Item No. PTFE)
1/4"	74.00	6.35	4.57	117.00	18.00	BBS-10-RU.Y02.FEX.35.0 (On Request)	BBS-10-RU.Y02.FEX.35.3 (On Request)
3/8"	74.00	9.53	7.75	117.00	18.00	BBS-10-RU.Y03.FEX.35.0 (On Request)	BBS-10-RU.Y03.FEX.35.3 (On Request)
1/2"	74.00	12.70	9.40	117.00	18.00	BBS-10-RU.Y05.FEX.35.0 (On Request)	BBS-10-RU.Y05.FEX.35.3 (On Request)
3/4"	74.00	19.05	15.75	99.00	18.00	BBS-10-RU.Y07.FEX.35.0 (On Request)	BBS-10-RU.Y07.FEX.35.3 (On Request)
1"	88.00	25.40	22.10	142.00	20.00	BBS-10-RU.Y10.FEX.35.0 (On Request)	BBS-10-RU.Y10.FEX.35.3 (On Request)
1 1/2"	125.00	38.10	34.80	187.00	25.00	BBS-10-RU.Y15.FEX.35.0 (On Request)	BBS-10-RU.Y15.FEX.35.3 (On Request)
2"	137.00	50.80	47.50	188.00	25.00	BBS-10-RU.Y20.FEX.35.0 (On Request)	BBS-10-RU.Y20.FEX.35.3 (On Request)
2 1/2"	168.00	63.50	60.20	200.00	25.00	BBS-10-RU.Y25.FEX.35.0 (On Request)	BBS-10-RU.Y25.FEX.35.3 (On Request)
3"	168.00	76.20	72.90	199.00	25.00	BBS-10-RU.Y30.FEX.35.0 (On Request)	BBS-10-RU.Y30.FEX.35.3 (On Request)
4"	260.00	101.60	97.38	246.00	30.00	BBS-10-RU.Y40.FEX.35.0 (On Request)	BBS-10-RU.Y40.FEX.35.3 (On Request)
6"	260.00	152.40	149.98	288.00	40.00	BBS-10-RU.Y60.FEX.35.0 (On Request)	BBS-10-RU.Y60.FEX.35.3 (On Request)

Weld End Connection



Platinum Cured Silicone Hose

FDA and USP class VI compliant.

Standard Hose – Type CL.
Without re-enforcement



BBS Item Key (Item No)	Size ISO	Size DIN	Size	Size SMS	ID	Min Bend Radius	Max. Working Pressure (20 °C)	Max. Working Pressure (150 °C)	Max. Material Temp.	Min. Burst Pressure	Vacuum Resistance
BBS-04-00.R04.00.CL.0 (730131)		DN 04	1/4"		5 mm	30mm	Ambient	Ambient	160 °C	4 Bar	None
BBS-04-00.R06.00.CL.0 (730137)		DN 06		DN 06	6 mm	50mm	Ambient	Ambient	160 °C	4 Bar	None
BBS-04-00.R08.00.CL.0 (730143)		DN 08	3/8"	DN 08	8 mm	60mm	Ambient	Ambient	160 °C	3 Bar	None
BBS-04-00.R10.00.CL.0 (730148)	DN 08	DN 10		DN 10	10 mm	70mm	Ambient	Ambient	160 °C	3 Bar	None
BBS-04-00.S10.00.CL.0 (730156)	DN 10	DN 15	1/2"	DN 15	12.7 mm	80mm	Ambient	Ambient	160 °C	2 Bar	None

Re-enforced Hose – Type MD.
Glass Silk Re-enforcement



BBS Item Key (Item No)	Size ISO	Size DIN	Size	Size SMS	ID	Min Bend Radius	Max. Working Pressure (20 °C)	Max. Working Pressure (150 °C)	Max. Material Temp.	Min. Burst Pressure	Vacuum Resistance
BBS-04-00.R04.00.MD.0 (730133)		DN 04	1/4"		5 mm	30mm	16 Bar	10 Bar	160 °C	32 Bar	No Collapse
BBS-04-00.R06.00.MD.0 (730139)		DN 06		DN 06	6 mm	50mm	16 Bar	10 Bar	160 °C	28 Bar	No Collapse
BBS-04-00.R08.00.MD.0 (730145)		DN 08	3/8"	DN 08	8 mm	60mm	14 Bar	8.5 Bar	160 °C	26 Bar	No Collapse
BBS-04-00.R10.00.MD.0 (730152)	DN 08	DN 10		DN 10	10 mm	70mm	12 Bar	8 Bar	160 °C	24 Bar	No Collapse
BBS-04-00.S10.00.MD.0 (730160)	DN 10	DN 15	1/2"	DN 15	12.7 mm	80mm	10 Bar	6.5 Bar	160 °C	20 Bar	650 mm/HG
BBS-04-00.S15.00.MD.0 (730168)	DN 15	DN 20	3/4"	DN 20	19 mm	150mm	8 Bar	5 Bar	160 °C	18 Bar	580 mm/HG
BBS-04-00.S20.00.MD.0 (730174)	DN 20	DN 25	1"	DN 25	25.4 mm	180mm	6 Bar	3.5 Bar	160 °C	15 Bar	400 mm/HG
BBS-04-00.S25.00.MD.0 (730180)	DN 25	DN 32		DN 32	32 mm	220mm	4 Bar	2.5 Bar	160 °C	12 Bar	180 mm/HG

Important note: Each item No. refers to 1m length of hose.

All hoses are available in minimum coil lengths of 10m. Larger coils are available on request.

Minimum order quantity applies – please check

Platinum Cured Silicone Hose

FDA and USP class VI compliant.

Re-enforced Hose – Type MA.
Aramid Re-enforcement



BBS Item Key (Item No)	Size ISO	Size DIN	Size	Size SMS	ID	Min Bend Radius	Max. Working Pressure (20 °C)	Max. Working Pressure (150 °C)	Max. Material Temp.	Min. Burst Pressure	Vaccum Resistance
BBS-04-00.R10.00.MA.0 (730150)	DN 08	DN 10		DN 10	10 mm	70mm	16 Bar	10 Bar	160 °C	36 Bar	650 mm/HG
BBS-04-00.S10.00.MA.0 (730158)	DN 10	DN 15	1/2"	DN 15	12.7 mm	80mm	16 Bar	10 Bar	160 °C	30 Bar	650 mm/HG
BBS-04-00.S15.00.MA.0 (730164)	DN 15	DN 20	3/4"	DN 20	19 mm	150mm	12 Bar	8 Bar	160 °C	24 Bar	580 mm/HG
BBS-04-00.S20.00.MA.0 (730172)	DN 20	DN 25	1"	DN 25	25.4 mm	180mm	10 Bar	6.5 Bar	160 °C	20 Bar	400 mm/HG
BBS-04-00.S25.00.MA.0 (730178)	DN 25	DN 32		DN 32	32 mm	220mm	8 Bar	5 Bar	160 °C	18 Bar	180 mm/HG
BBS-04-00.S32.00.MA.0 (730186)	DN 32	DN 40	1.1/2"	DN 40	38 mm	260mm	5 Bar	3 Bar	160 °C	12 Bar	180 mm/HG
BBS-04-00.S40.00.MA.0 (730193)	DN 40		2"		45 mm	350mm	5 Bar	3 Bar	160 °C	12 Bar	120 mm/HG
BBS-04-00.S50.00.MA.0 (730199)	DN 50	DN 50		DN 50	55 mm	450mm	5 Bar	3 Bar	160 °C	12 Bar	120 mm/HG
BBS Item Key (Item No)	Size ISO	Size DIN	Size	Size SMS	ID	Min Bend Radius	Max. Working Pressure (20 °C)	Max. Working Pressure (150 °C)	Max. Material Temp.	Min. Burst Pressure	Vaccum Resistance
BBS-04-00.R10.00.MR.0 (730154)	DN 08	DN 10		DN 10	10 mm	70mm	16 Bar	11 Bar	160 °C	36 Bar	No Collapse
BBS-04-00.S10.00.MR.0 (730162)	DN 10	DN 15	1/2"	DN 15	12.7 mm	90mm	16 Bar	11 Bar	160 °C	30 Bar	No Collapse
BBS-04-00.S15.00.MR.0 (730170)	DN 15	DN 20	3/4"	DN 20	19 mm	150mm	12 Bar	7.6 Bar	160 °C	24 Bar	No Collapse
BBS-04-00.S20.00.MR.0 (730176)	DN 20	DN 25	1"	DN 25	25.4 mm	180mm	10 Bar	6 Bar	160 °C	20 Bar	No Collapse
BBS-04-00.S25.00.MR.0 (730182)	DN 25	DN 32		DN 32	32 mm	220mm	8 Bar	5.4 Bar	160 °C	18 Bar	No Collapse
BBS-04-00.S32.00.MR.0 (730189)	DN 32	DN 40	1.1/2"		38 mm	260mm	5 Bar	2.5 Bar	160 °C	14 Bar	No Collapse
BBS-04-00.S40.00.MR.0 (730195)	DN 40		2"		45 mm	350mm	5 Bar	2.5 Bar	160 °C	12 Bar	No Collapse
BBS-04-00.S50.00.MR.0 (730201)	DN 50	DN 50			55 mm	450mm	4 Bar	2.5 Bar	160 °C	10 Bar	No Collapse

Re-enforced Hose – Type MR.
Stainless Steel Re-enforcement



Important note: Each item No. refers to 1m length of hose.

All hoses are available in minimum coil lengths of 10m. Larger coils are available on request.

Minimum order quantity applies – please check

Re-Usable Hose Unions for use with Platinum Cured Silicone Hose

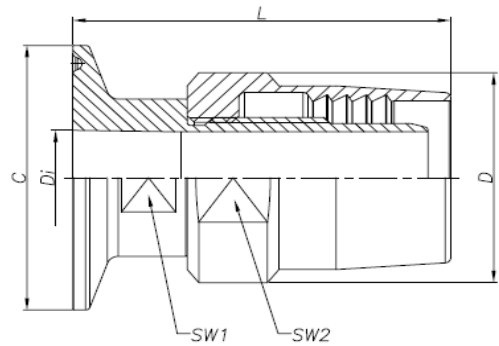
For use in conjunction with BBS-4S platinum cured silicone hose.

- Fully traceable materials
- Excellent sealing properties maintaining sterility
- Suitable for CIP and SIP
- Virtually unlimited flexibility

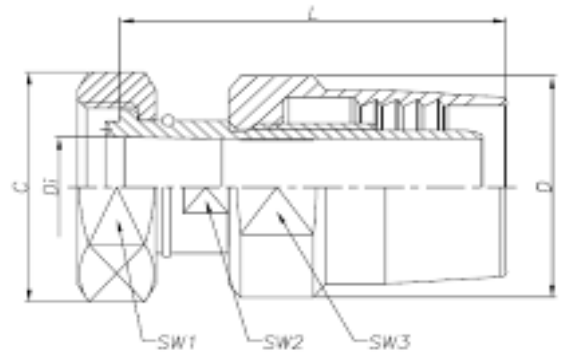
Fully Compliant with ASME BPE 2009 hose assembly recommendation as per Fig SD-7 (d)



Standard Clamp



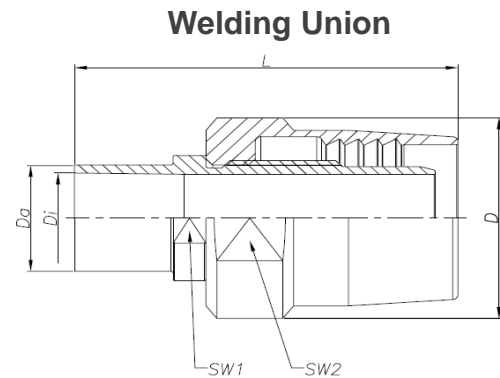
Standard Union



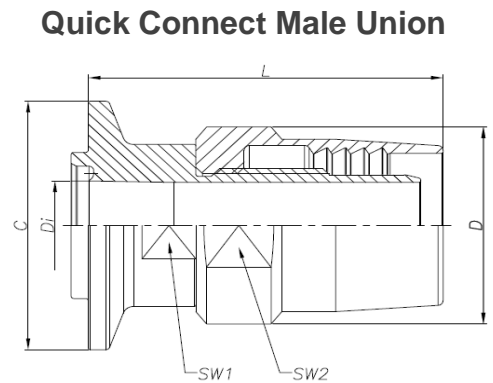
Clamp Union / 1.4435BN2 316L Stainless Steel / Ra < 0.8µm							
Size	C mm	Di mm	L mm	D mm	SW1 mm	SW2 mm	BBS Item Key (Ident No)
1/4"	25.00	4.57	38.50	19.80	14.00	17.00	BBS-4S-AA.H02.H00.35.0 (On Request)
3/8"	25.00	7.75	49.00	21.70	17.00	24.00	BBS-4S-AA.H03.H00.35.0 (741989)
1/2"	25.00	9.40	50.00	29.70	19.00	27.00	BBS-4S-AA.H05.H01.35.0 (741993)
3/4"	25.00	15.75	66.00	40.00	27.00	36.00	BBS-4S-AA.H07.H00.35.0 (741995)
1"	50.50	22.10	78.50	49.50	32.00	46.00	BBS-4S-AA.H10.H01.35.0 (742001)
1.1/2"	50.50	34.80	89.70	74.00	41.00	60.00	BBS-4S-AA.H15.H00.35.0 (742007)
2"	64.00	47.50	On Request				BBS-4S-AA.H20.H00.35.0 (742017)

Standard Union / 1.4435BN2 316L Stainless Steel / Ra < 0.8µm								
Size	C mm	Di mm	L mm	D mm	SW1 mm	SW2 mm	SW3 mm	BBS Item Key (Ident No)
1/4"	21.90	4.57	42.30	22.00	22.00	11.00	17.00	BBS-4S-AA.T02.T00.35.0 (742092)
3/8"	21.90	7.70	49.00	27.70	27.00	14.00	24.00	BBS-4S-AA.T03.T00.35.0 (742093)
1/2"	24.50	9.40	52.00	29.70	32.00	19.00	27.00	BBS-4S-AA.T05.T00.35.0 (742094)
3/4"	31.20	15.75	65.00	38.60	42.00	22.00	36.00	BBS-4S-AA.T07.T00.35.0 (742095)
1"	36.50	22.10	79.30	49.50	42.00	28.00	46.00	BBS-4S-AA.T10.T00.35.0 (742096)
1.1/2"	48.30	34.80	111.00	74.00	56.00	41.00	60.00	BBS-4S-AA.T15.T00.35.0 (742097)
2"	52.00	47.50	On Request					BBS-4S-AA.T20.T00.35.0 (On request)

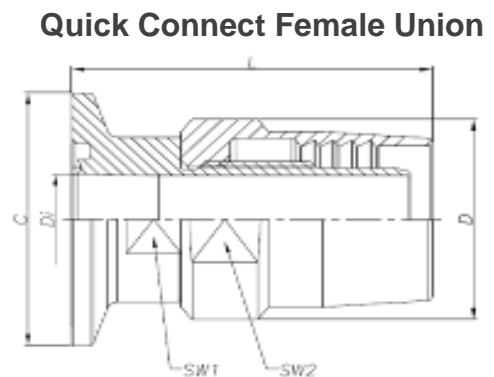
Welding Union / 1.4435BN2 316L Stainless Steel / Ra < 0.8µm							
Size	Da mm	Di mm	L mm	D mm	SW1 mm	SW2 mm	BBS Item Key (Ident No)
1/4"	6.35	4.57	42.30	22.00	22.00	17.00	BBS-4S-DA.T02.T00.35.0 (742313)
3/8"	9.53	7.75	54.00	27.70	14.00	24.00	BBS-4S-DA.T03.T00.35.0 (742314)
1/2"	12.70	9.40	64.00	29.70	32.00	27.00	BBS-4S-DA.T05.T00.35.0 (742315)
3/4"	19.05	15.75	78.90	38.60	22.00	36.00	BBS-4S-DA.T07.T00.35.0 (742316)
1"	25.40	22.10	95.00	49.50	32.00	46.00	BBS-4S-DA.T10.T00.35.0 (742317)
1.1/2"	38.10	34.80	100.80	96.00	41.00	60.00	BBS-4S-DA.T15.T00.35.0 (742318)
2"	50.80	47.50	On Request				BBS-4S-DA.T20.T00.35.0 (742319)



QC Male Union / 1.4435BN2 316L Stainless Steel / Ra < 0.8µm							
Size	C mm	Di mm	L mm	D mm	SW1 mm	SW2 mm	BBS Item Key (Ident No)
1/4"	25.00	4.57	38.40	19.80	14.00	17.00	BBS-4S-NA.H02.H00.35.0 (731501)
3/8"	25.00	7.75	On Request				BBS-4S-NA.H03.H00.35.0 (On request)
1/2"	25.00	9.40	50.50	29.70	19.00	27.00	BBS-4S-NA.H05.H00.35.0 (731503)
3/4"	50.50	15.75	66.00	40.00	27.00	36.00	BBS-4S-NA.H07.H00.35.0 (731505)
1"	50.50	22.10	80.50	49.50	32.00	46.00	BBS-4S-NA.H10.H01.35.0 (731510)
1.1/2"	50.50	34.80	89.70	74.00	41.00	60.00	BBS-4S-NA.H15.H00.35.0 (731512)
2"	64.00	47.50	On Request				BBS-4S-NA.H20.H00.35.0 (731514)



QC Female Union / 1.4435BN2 316L Stainless Steel / Ra < 0.8µm							
Size	C mm	Di mm	L mm	D mm	SW1 mm	SW2 mm	BBS Item Key (Ident No)
1/4"	25.00	4.57	38.40	19.80	14.00	17.00	BBS-4S-NB.H02.H00.35.0 (742564)
3/8"	25.00	7.75	On Request				BBS-4S-NB.H03.H00.35.0 (On request)
1/2"	25.00	9.40	52.00	29.70	17.00	27.00	BBS-4S-NB.H05.H01.35.0 (742566)
3/4"	25.00	15.75	65.80	38.60	22.00	36.00	BBS-4S-NB.H07.H00.35.0 (742567)
1"	50.50	22.10	77.50	49.50	32.00	46.00	BBS-4S-NB.H10.H00.35.0 (742569)
1.1/2"	50.50	34.80	89.70	74.00	41.00	60.00	BBS-4S-NB.H15.H00.35.0 (742570)
2"	64.00	47.50	On Request				BBS-4S-NB.H20.H00.35.0 (742571)





Sterile orbital flange unions for biopharmaceutical applications. Optimum internal design according to ASME BPE 2009 connection recommendation Fig Sd-1 (e).

- 1/2" to 3"
- Made from 316L stainless steel 1.4435 BN2
- Seal material EPDM, FEP (PTFE)
- Surface finish <math><0.8\mu\text{mRa}</math> Electropolished



Sterile Tank Flanges for biopharmaceutical applications. Design exceeds recommended design according to ASME BPE 2009 SD-16.

- 1/2" to 3"
- Made from 316L stainless steel 1.4435 BN2
- Seal material EPDM, FEP (PTFE)
- Surface finish <math><0.8\mu\text{mRa}</math> Electropolished



Piping components in accordance with ASME BPE dimensions and tolerances.

- 1/8" to 4" sizes available
- Made from 316L stainless steel 1.4435 BN2
- Surface finish <math><0.8\mu\text{mRa}</math> Electropolished



Sampling Systems and solutions

- Ring Gap system suitable for SIP/CIP processes
- Sealing materials EPDM, FEP (PTFE)
- Customer specific design according to requirements

Please contact us to discuss your specific requirements



Burkert Fluid Control Systems

USA

Sales Office – West Coast
2572 White Road
Irvine, CA 92614

Sales Office – East Coast
2915 Whitehall Park Drive, Suite 650
Charlotte, NC 28273

Systemhaus
2915 Whitehall Park Drive, Suite 100
Charlotte, NC 28273

Phone: 1-800-325-1405
Fax: 949-223-3198

marketing-usa@burkert.com
www.burkert-usa.com

Canada

5002 South Service Road
Burlington, Ontario L7L 5Y7

Phone: 905-632-3033
Fax: 905-632-3833

sales.ca@burkert.com
www.burkert.ca